





TRODAT PRINTY LINE_ OVERLAY


4850 
10 NOV 2009


4910 
Max. 25 x 8 mm
• $\frac{5}{16}$ " x 1"
◆ 6/4910

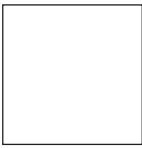
4911 
Max. 37 x 13 mm • $\frac{1}{2}$ " x $1\frac{7}{16}$ "
◆ 6/4911


4921 
Max. 11 x 11 mm
• $\frac{7}{16}$ " x $\frac{7}{16}$ "
◆ 6/4921

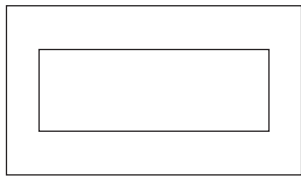
Max. 24 x 4 mm • $\frac{3}{16}$ " x $\frac{15}{16}$ " ◆ 6/4850


4813 
10 NOV 2009
Max. 25 x 8 mm • $\frac{5}{16}$ " x 1" ◆ 6/4817

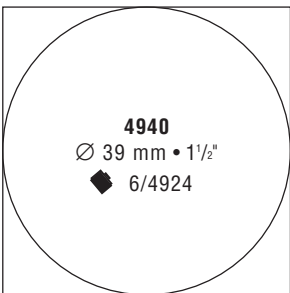
4912 
Max. 46 x 17 mm • $\frac{5}{8}$ " x $1\frac{13}{16}$ "
◆ 6/4912

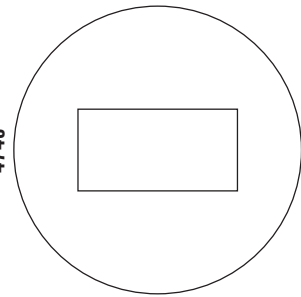
4922 
Max. 19 x 19 mm
• $\frac{3}{4}$ " x $\frac{3}{4}$ "
◆ 6/4922


4923 
4930
Ø 29 mm • $1\frac{1}{8}$ "
◆ 6/4923
Max. 29 x 29 mm • $1\frac{1}{8}$ " x $1\frac{1}{8}$ "
◆ 6/4923

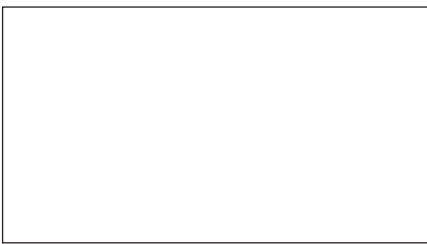
4750, 4941 (4760) 
Max. 40 x 23 mm • $\frac{5}{16}$ " x $1\frac{9}{16}$ "
◆ 6/4750

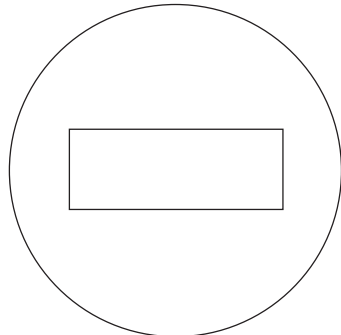
4913 
Max. 57 x 21 mm • $\frac{13}{16}$ " x $2\frac{1}{4}$ "
◆ 6/4913


4924 
4940
Ø 39 mm • $1\frac{1}{2}$ "
◆ 6/4924
Max. 39 x 39 mm • $1\frac{1}{2}$ " x $1\frac{1}{2}$ " ◆ 6/4924


4740 
Ø 39 mm • $1\frac{1}{2}$ " ◆ 6/4924

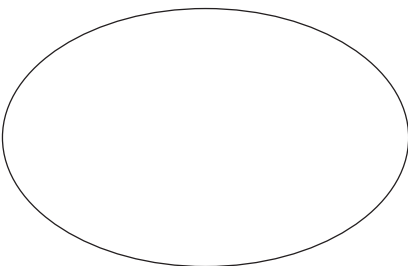
4915 
Max. 69 x 24 mm • $\frac{15}{16}$ " x $2\frac{11}{16}$ "
◆ 6/4915

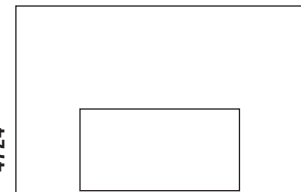
4928 
Max. 59 x 32 mm • $1\frac{1}{4}$ " x $2\frac{5}{16}$ "
◆ 6/4928

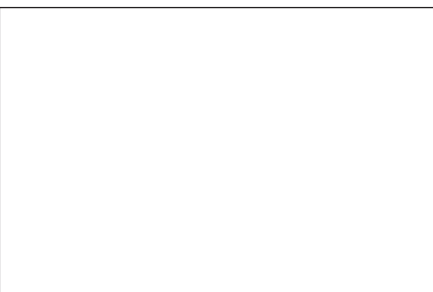
46145 
Ø 44 mm • $1\frac{3}{4}$ " ◆ 6/46145/2

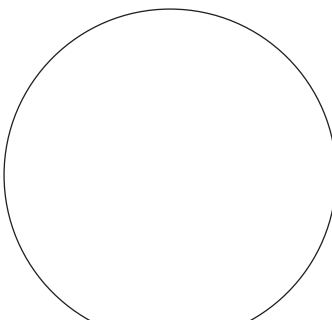
4916 
Max. 69 x 9 mm • $\frac{5}{16}$ " x $2\frac{11}{16}$ "
◆ 6/4916

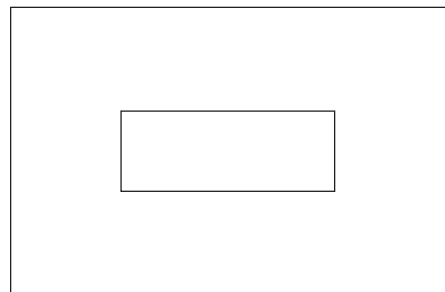
4926 
Max. 74 x 37 mm • $1\frac{7}{16}$ " x $2\frac{15}{16}$ "
◆ 6/4926

44055 
Max. 54 x 34 mm • $1\frac{3}{8}$ " x $2\frac{1}{8}$ " ◆ 6/44055

4724 
Max. 39 x 39 mm • $1\frac{1}{2}$ " x $1\frac{1}{2}$ "
◆ 6/4924

4927 
Max. 59 x 39 mm • $1\frac{1}{2}$ " x $2\frac{5}{16}$ "
◆ 6/4927

46045 
Ø 44 mm • $1\frac{3}{4}$ " ◆ 6/46145

4727 
Max. 59 x 39 mm • $1\frac{1}{2}$ " x $2\frac{5}{16}$ " ◆ 6/4927

